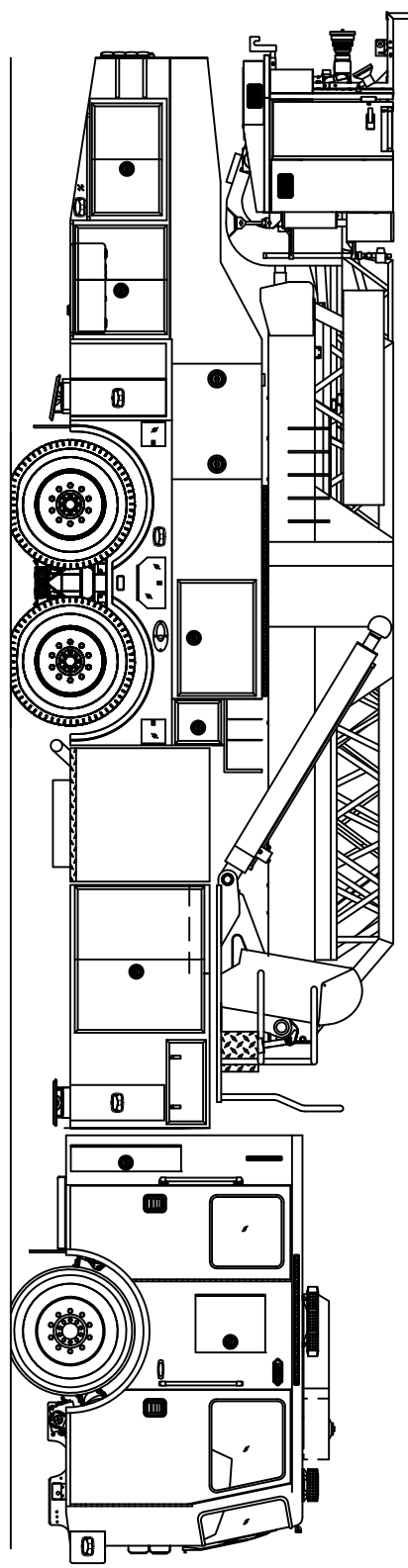
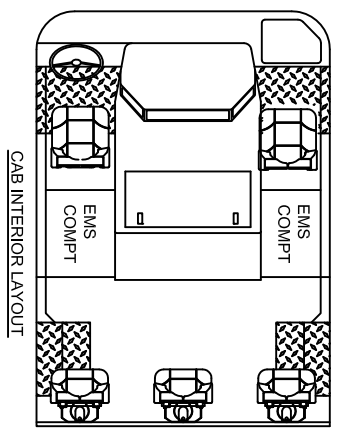


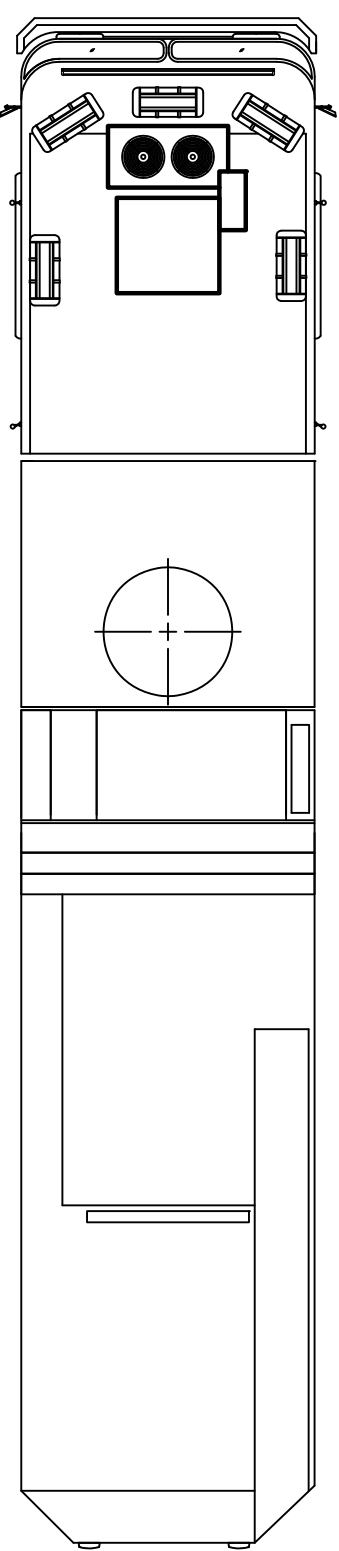
REAR VIEW



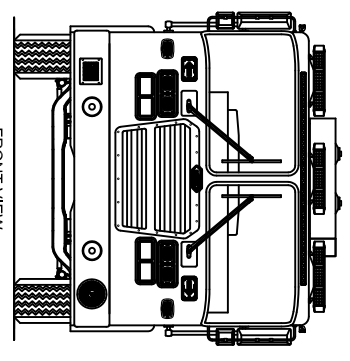
OFFICERS SIDE VIEW



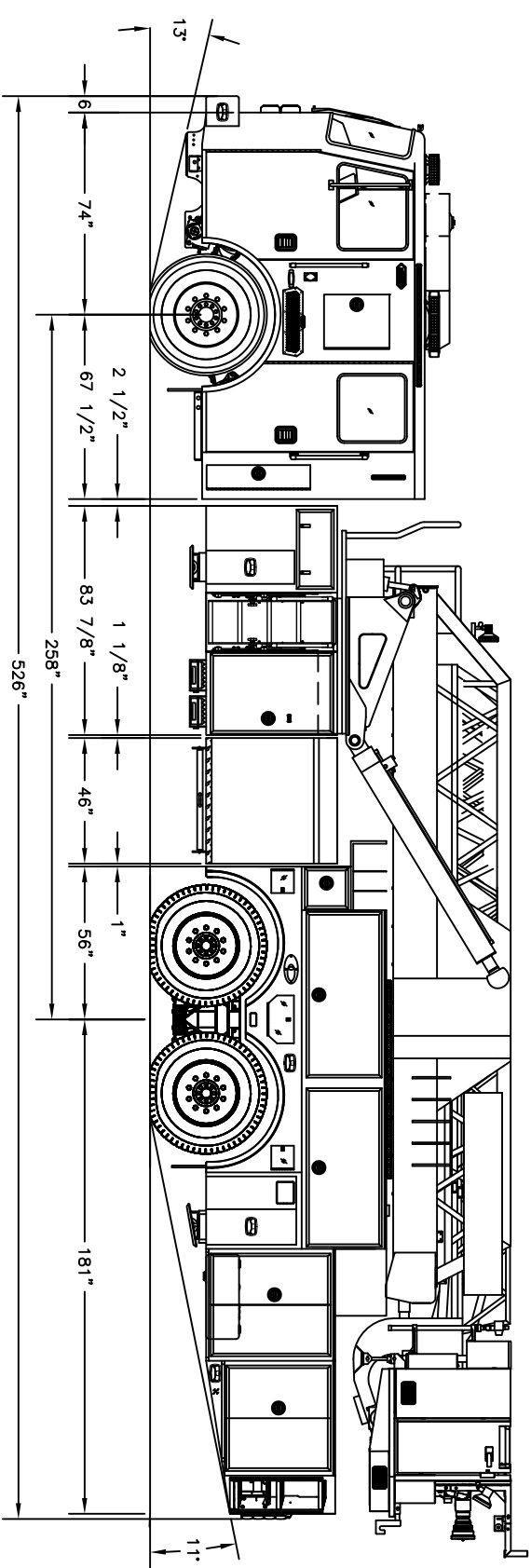
CAB INTERIOR LAYOUT



TOP VIEW



FRONT VIEW



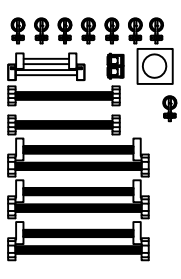
DRIVERS SIDE VIEW

SPECIFICATIONS

CHASSIS: SQUARE SERVICE XAFD FLAT ROOF
 ENGINE: CUMMINS ISX 15, 600 HP w/ ENGINE BRAKE
 TRANSMISSION: ALISON 4000ES 5-SPEED AUTOMATIC
 FRONT AXLE: MERTOR MFS-20-133AH #23,000 W/ DISC BRAKES
 REAR AXLE: MERTOR RT-58-185 #60,000
 PUMP: WATEROUS S100: 1,500 GPM SINGLE STAGE
 TANK: 300 GALLONS

COMPARTMENT SIZE

- GROUND LADDERS**
- 2 - D10-SAFETY 35' 2-SECTION: 1200A-35
 - 1 - D10-SAFETY 24' 2-SECTION: 900A-24
 - 2 - D10-SAFETY 18' ROOF W/ FOLDING HOOPS: 873A-18
 - 1 - D10-SAFETY 14' ATTC EXTENSION: 701-A14
 - 1 - D10-SAFETY 10' FOLDING: 585A-10
 - 1 - LITTLE GRANT MODEL 15



NOTES

THIS DRAWING IS A GENERAL CONFIGURATION AND MAY NOT NECESSARILY REFLECT ALL CONTRACTUAL OBLIGATIONS. PLEASE REVIEW AND RETURN A SIGNED COPY.

NAME: _____
 TITLE: _____
 DATE: _____

CUSTOMER PAINT CODES

LOWER CAB AND BODY: _____
 CAB TWO TONE: _____
 LADDERS: _____

COMPARTMENT INTERIOR:

B	8/7/2017	REVISED	
A	7/27/2017	REVISED AS PER SIGNED PRE CON LTR	
REV	DATE	REVISION DESCRIPTION	APP'D

SALES ENGINEER : MARK BOYLE



KOVATICH ORGANIZATION
 ONE INDUSTRIAL COMPLEX
 MESQUENHAWK, PA 18240

DATE: 9-30-18 SCALE: NONE DRAWN BY: Z.ZSCHUNKLE
 APPROVED BY: PPH

81' AERIALCAT MIDMOUNT PLATFORM

MONROE, CT
 GSO #10631

DO NOT CHANGE MANUALLY