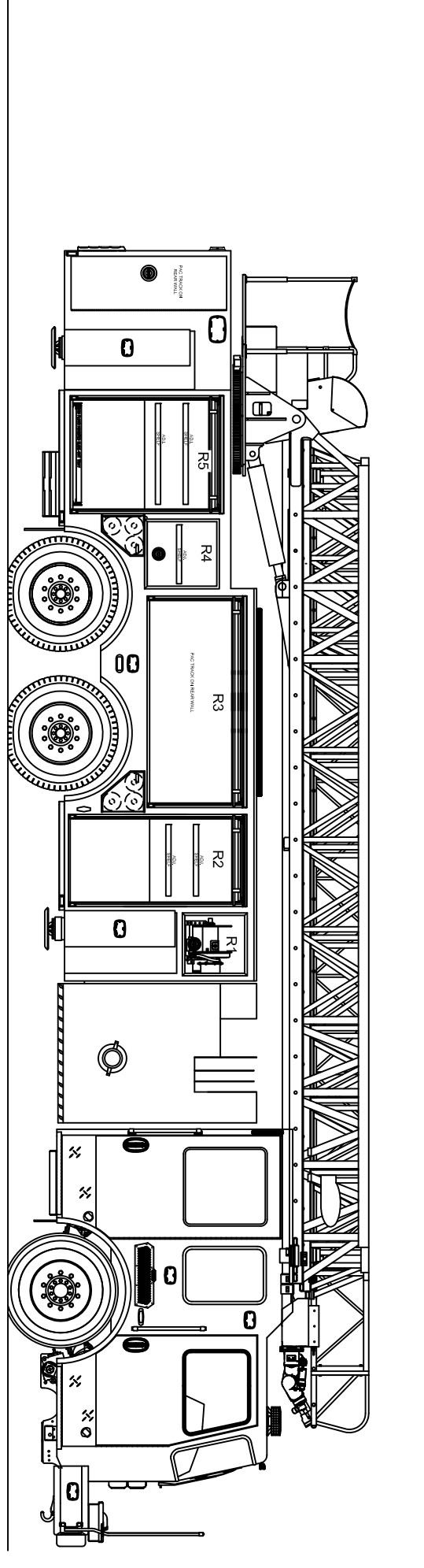
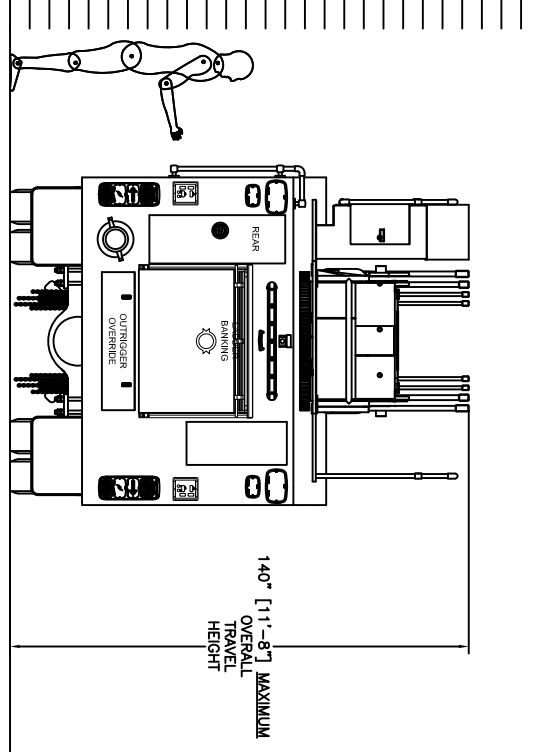
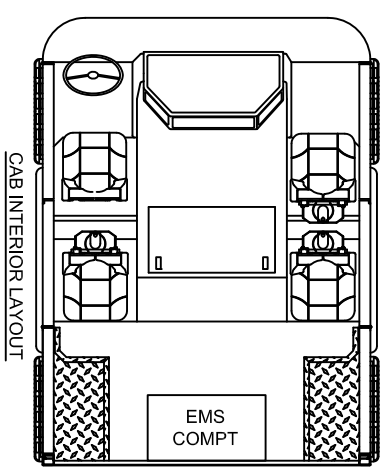


13'  
12'-6"  
12  
11'-6"  
11'  
11'  
10'-6"  
10'  
9'-6"  
9  
8'-6"  
8  
7'-6"  
7  
6'-6"  
6  
5'-6"  
5  
4'-6"  
4  
3'-6"  
3  
2'-6"  
2  
1'-6"  
1  
APPROX. HEIGHT: 0'

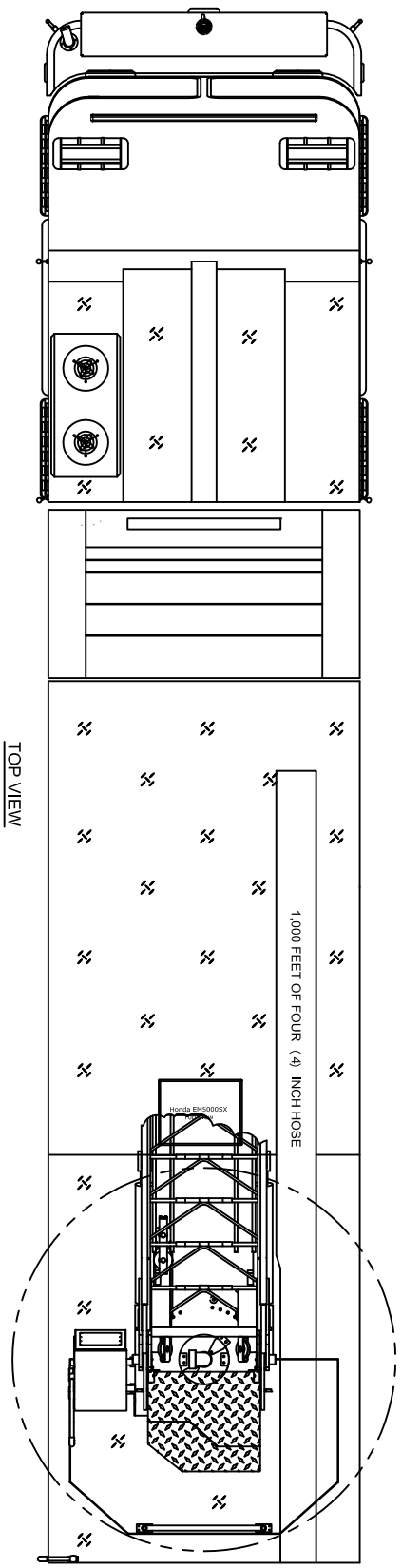


REAR VIEW

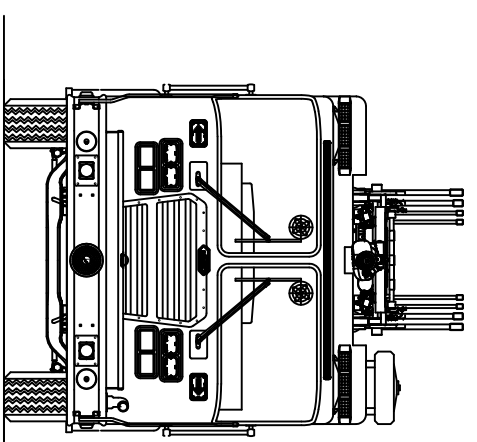
OFFICERS SIDE VIEW



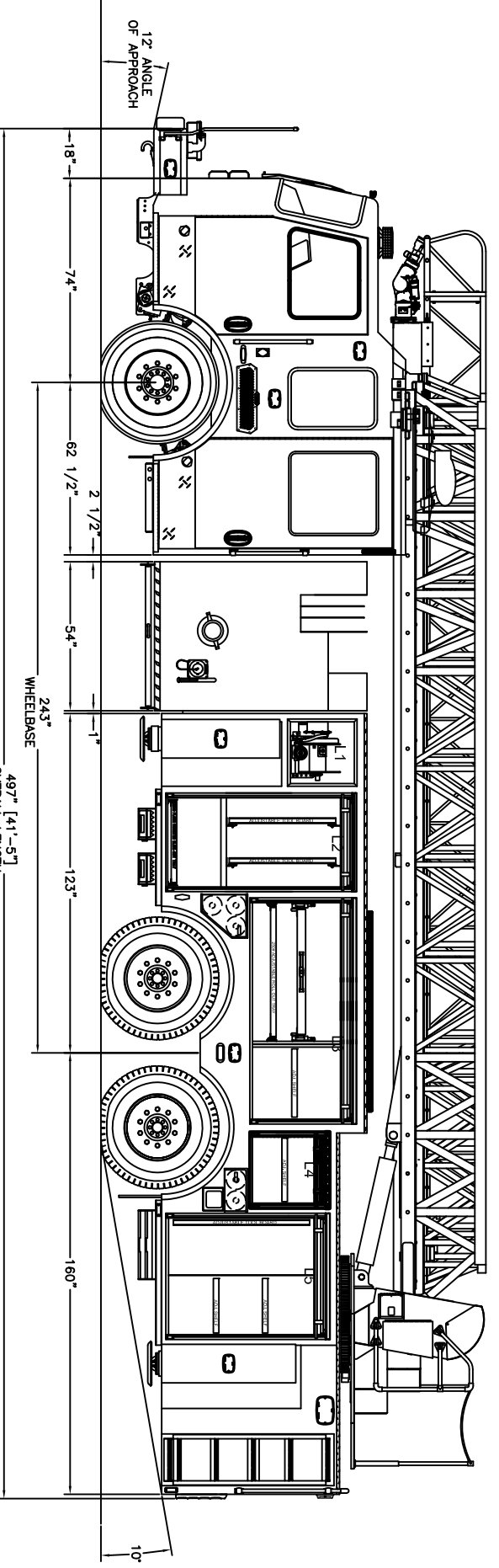
CAB INTERIOR LAYOUT



TOP VIEW



FRONT VIEW



DRIVERS SIDE VIEW

CAB: 100"W PREDATOR MFD 10" RAISED ROOF  
ENGINE & TRANS.: CUMMINS ISX15 565 HP/ 4000 EVS  
AXLES: 23,000# FRONT/54,000# REAR  
PUMP: WATEROUS CSU-C20 2,000 GPM SINGLE STAGE  
WATER TANK: 500 GALLONS  
GENERATOR: HONDA EM5000SXK2A

THIS DRAWING IS A GENERAL REPRESENTATION AND MAY NOT CONFORM TO ALL LOCAL, STATE, FEDERAL, AND NATIONAL CONTRACT REQUIREMENTS. CONTRACT SPECIFICATIONS SHALL PREVAIL OVER DRAWING.

CUSTOMER APPROVAL:

NAME: \_\_\_\_\_  
TITLE: \_\_\_\_\_  
DATE: \_\_\_\_\_

SY#	DATE	REVISION DESCRIPTION	JCM	APP'D
A	2/8/2017	PRECONSTRUCTION REVISIONS	JCM	

SALES ENGINEER: JAMES MECHLING

DIMENSIONS ARE APPROXIMATE & MAY VARY DUE TO BUILD ADJUSTMENTS.  
SCALE: DRAWING BY: ZSCHUNKLE DATE: 10-17-16  
NONE APPROVED BY: P.HOERCHAK

103' REAR MOUNT LADDER  
SUPERIOR TWP, MI

GSO 10594



KME  
ONE INDUSTRIAL COMPLEX - NESQUEHONING, PA 18240